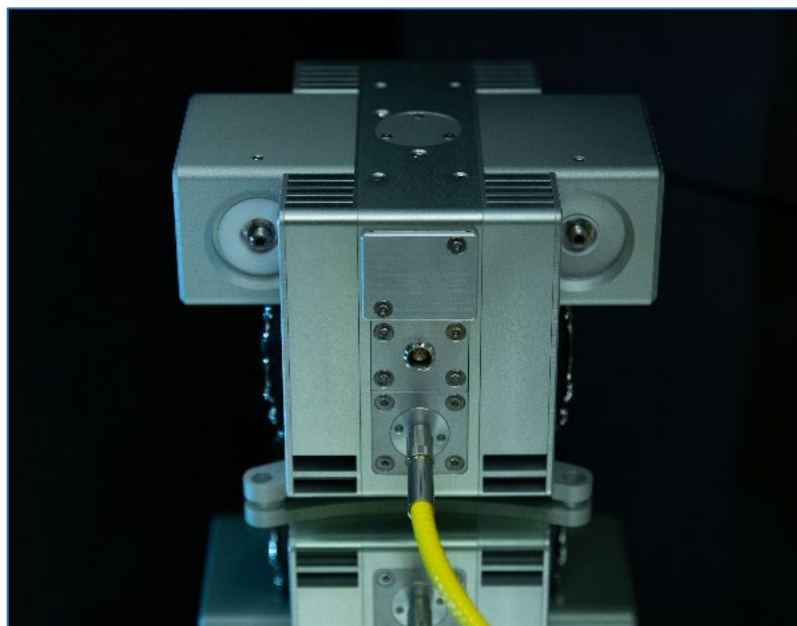


XWS-Dual port: Free space and FCU versions



XWS Dual port Free Space



XWS Dual port FCU

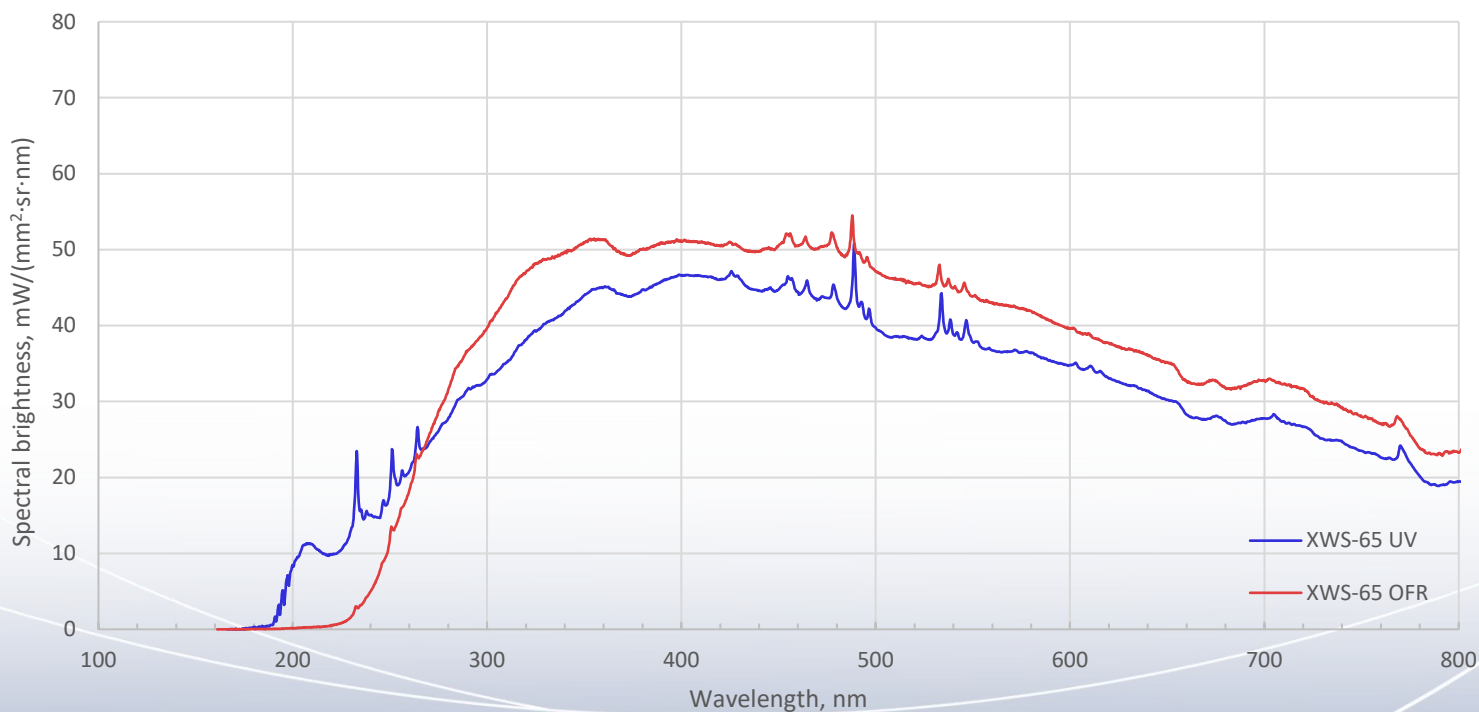
产品特点:

- 每个端口参数相同的双光束光源
- 基于XWS-65开发
- 光谱亮度: up to 50 mW/(mm²·sr·nm)
- 高稳定性: STD <0.15%

FCU 版本:

- SMA or FC 光纤接口
- 每根光纤输出功率可达0.5W

Spectral brightness of XWS-Dual port light source in UV and VIS spectral region



LK Q 8i U`port参数

LK Q 8i U`port参数

光谱范围	190 - 2500nm for UV configuration, 250 - 2500nm for OFR configuration
光谱亮度	Up to 50mW/(mm ² ·sr·nm)
输出功率	Up to 3 W free space per port Up to 0.5 W via fiber per port
灯介质	Xenon
发射体尺寸	250×500um
使用寿命	10,000 hours
时空稳定性	STD < 0.15%

光学设计

默认输出NA	0.4, up to 0.55 upon request
默认外部光接口	C-mount
可选的输出接口	Thorlabs SM1, 30mm cage and more
光纤接口(仅针对FCU版本)	SMA or FC

可选配置

光源光谱	UV or Ozone free
光输出	Free space or fiber coupled
光源冷却装置	Air cooling
电源模块(Power Supply Unit)冷却系统	Air or water cooling

附加选项

连接电脑/笔记本电脑	Ethernet (Web interface), COM-port (RS232)
联锁	Db-15 connector
远程等离子体控制	Db-15 connector

系统尺寸和重量

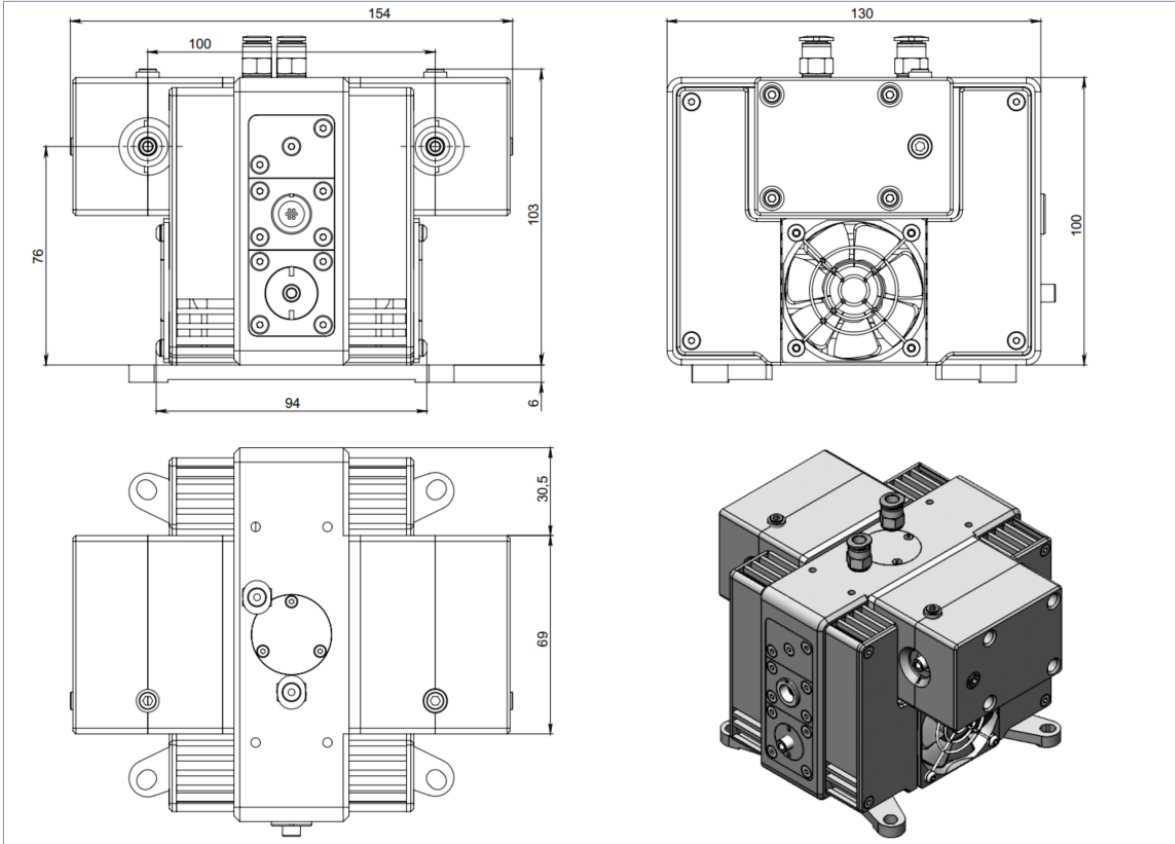
光源	130 × 154 × 74mm, 2kg
电源模块	351 × 172 × 232mm, 8kg

厂家要求

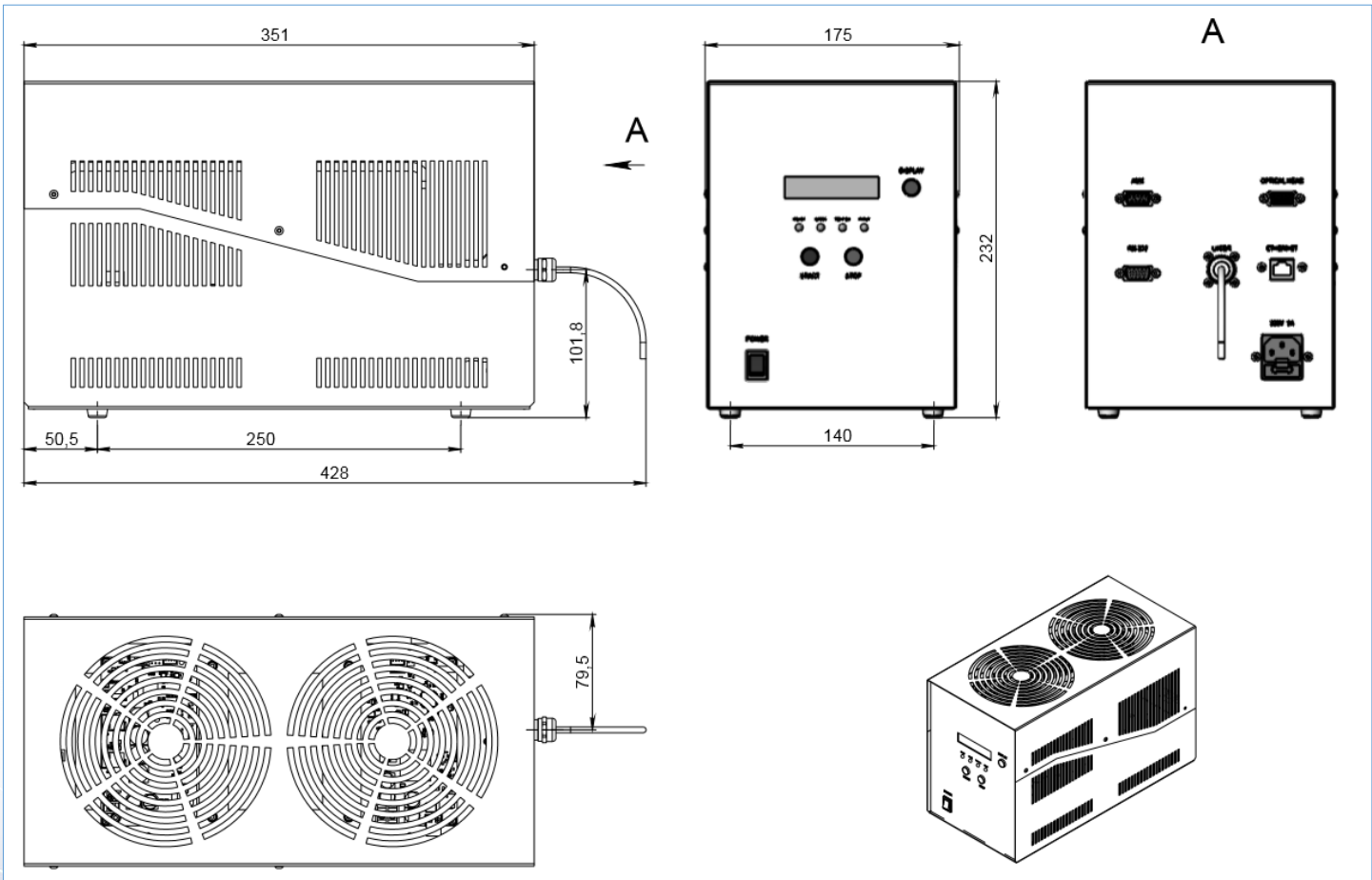
电源	100-240V, 50/60Hz
气体吹扫(仅适用于UV配置)	Nitrogen or Argon purging, 1l/min

XWS-Dual port FCU

Optical head dimensions:

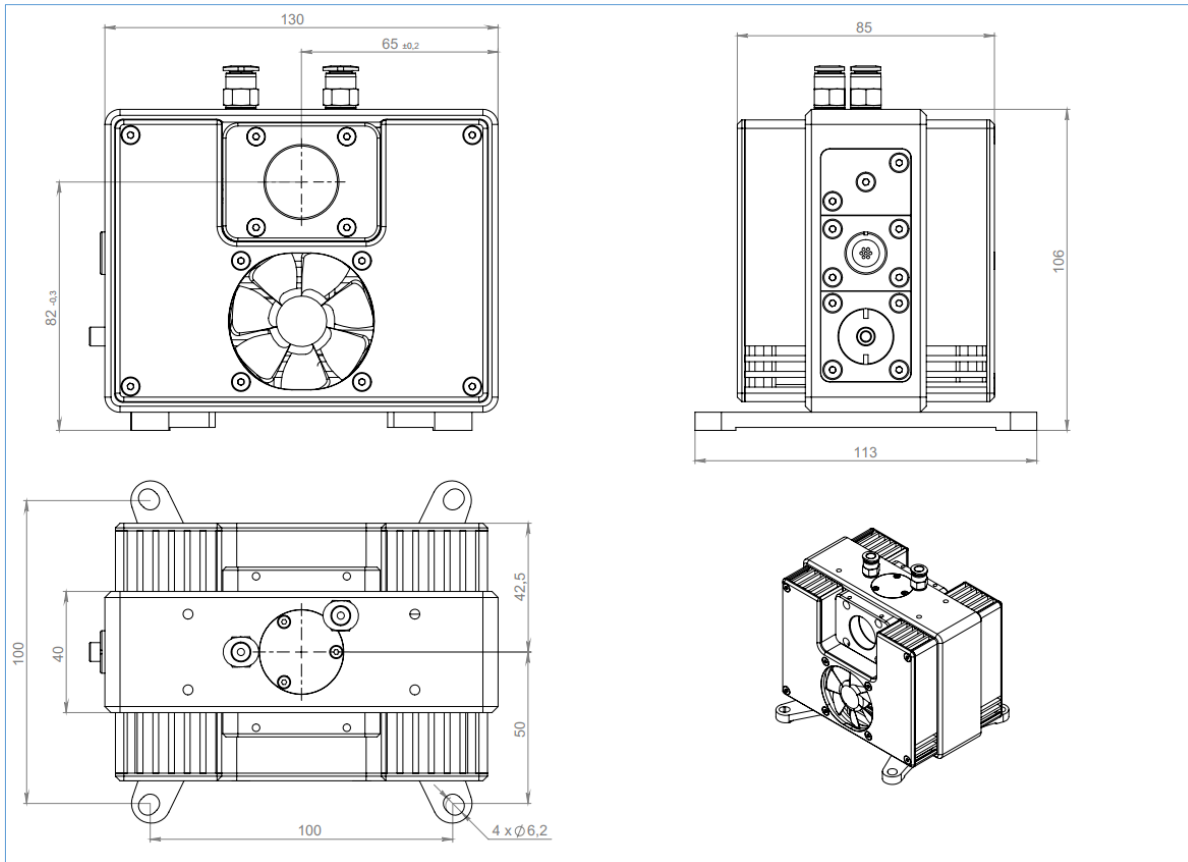


Power Supply Unit (PSU) dimensions:

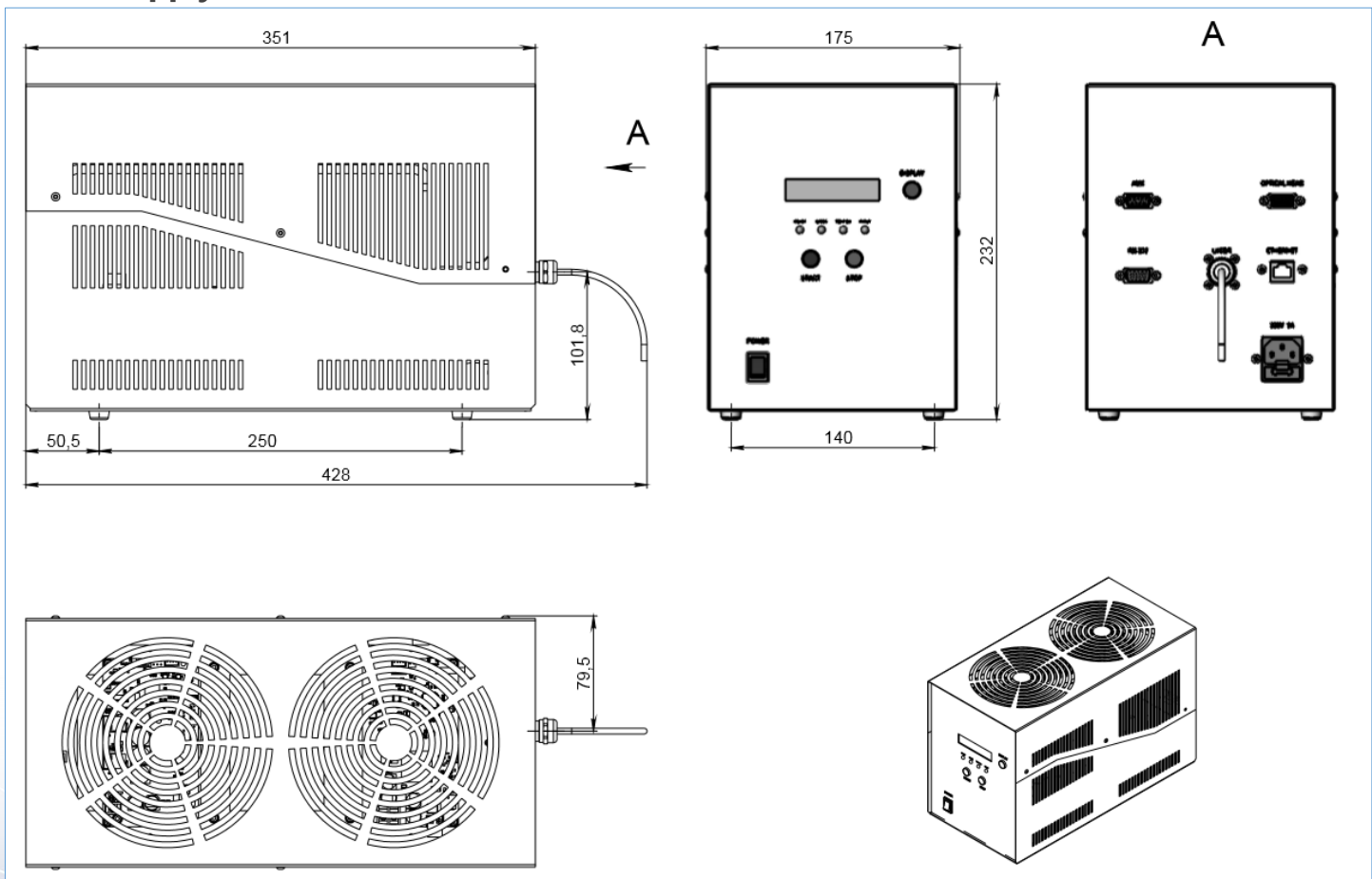


XWS-Dual port Free Space

Optical head dimensions:



Power Supply Unit (PSU) dimensions:



Contacts

ISTEQ B.V. is located in the High Tech Campus Eindhoven which is famous as the “smartest km²” in The Netherlands. The campus holds more than 125 companies and institutes with more than 10,000 researchers, developers and entrepreneurs working on developing future cutting edge technologies and products.



北京众星联恒科技有限公司

电话: 010-86467571

邮箱: sales@top-unistar.com

地址: 北京市海淀区信息路1号 国际创业园
西区2号楼1305 邮编: 100085

网址: www.top-unistar.com